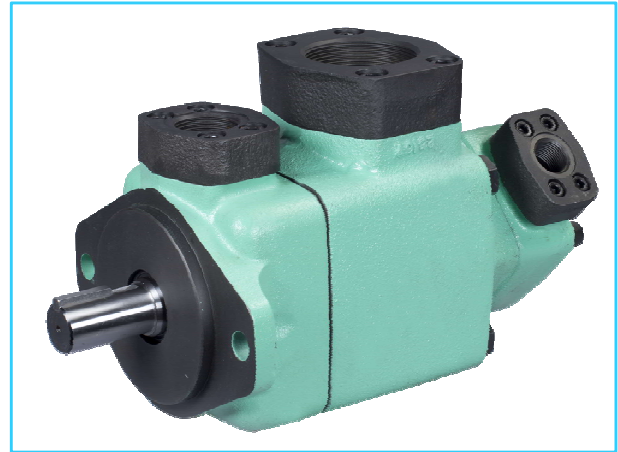
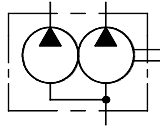


■ PVR 50150 Series Double Vane Pumps

These double pumps consist of one PVR 50 and one PVR 150 series single pumps combined in tandem within a single housing and driven by a common shaft. Fluid delivered from the two separate ports can be either supplied to separate or common circuits. These pumps are used in mobile application.



Graphic symbol



■ Specifications

Model Number	Small Volume Pump Geometric Displacement cm ³ /rev.	Large Volume Pump Geometric Displacement cm ³ /rev.	Max. Opr. Pressure Kgf/cm ²	Output Flow and Input Power	Shaft Speed Range r/min		Mass (Approx) Kg.	
					Max.	Min.	Flange Mounting	Foot Mounting
PVR50150	Refer Specification in Page No. 124	Refer Specification in Page No. 129	175	Refer Page 126, 127, 128, 131 & 132	1800*	600	42.5	49

* For speeds above 1500 r/min. consult factory for information.

■ Model Number Designation

F-	PVR50150	-L	-F	-13	-60	-R	E	A	A	-15	80
Special Seals	Series Number	Mounting	Type of Pipe Connection	Small Volume Pump Nominal Displacement	Large Volume Pump Nominal Displacement	Direction of Rotation	Small Volume Pump Discharge Position	Large Volume Pump Discharge Position	Suction Port Position	Design No.	Design Std
F: For Phosphate Ester Type Fluids. (omit if not required)	PVR50150	L: Foot Mounting F: Flange Mounting	F: Flange Connection	13, 20 26, 30 36, 39 45, 51, 56	60, 70 90, 110 140, 170	R: Clockwise (Normal) L: Anticlockwise				15	80

* Design numbers subject to change from 10 to 19, but installation dimensions remain as shown.

* For instructions regarding changing the port positions, consult YUKEN INDIA LTD.

■ Cartridge Kit Model Number

● Large Volume Pump

CPVR150	-60	-R	-33
Model Number	Nominal Displacement	Shaft Rotation	Design No.
CPVR150	60 70 90 110 140 170	R: Clockwise (Normal) L: Counter-Clockwise	33

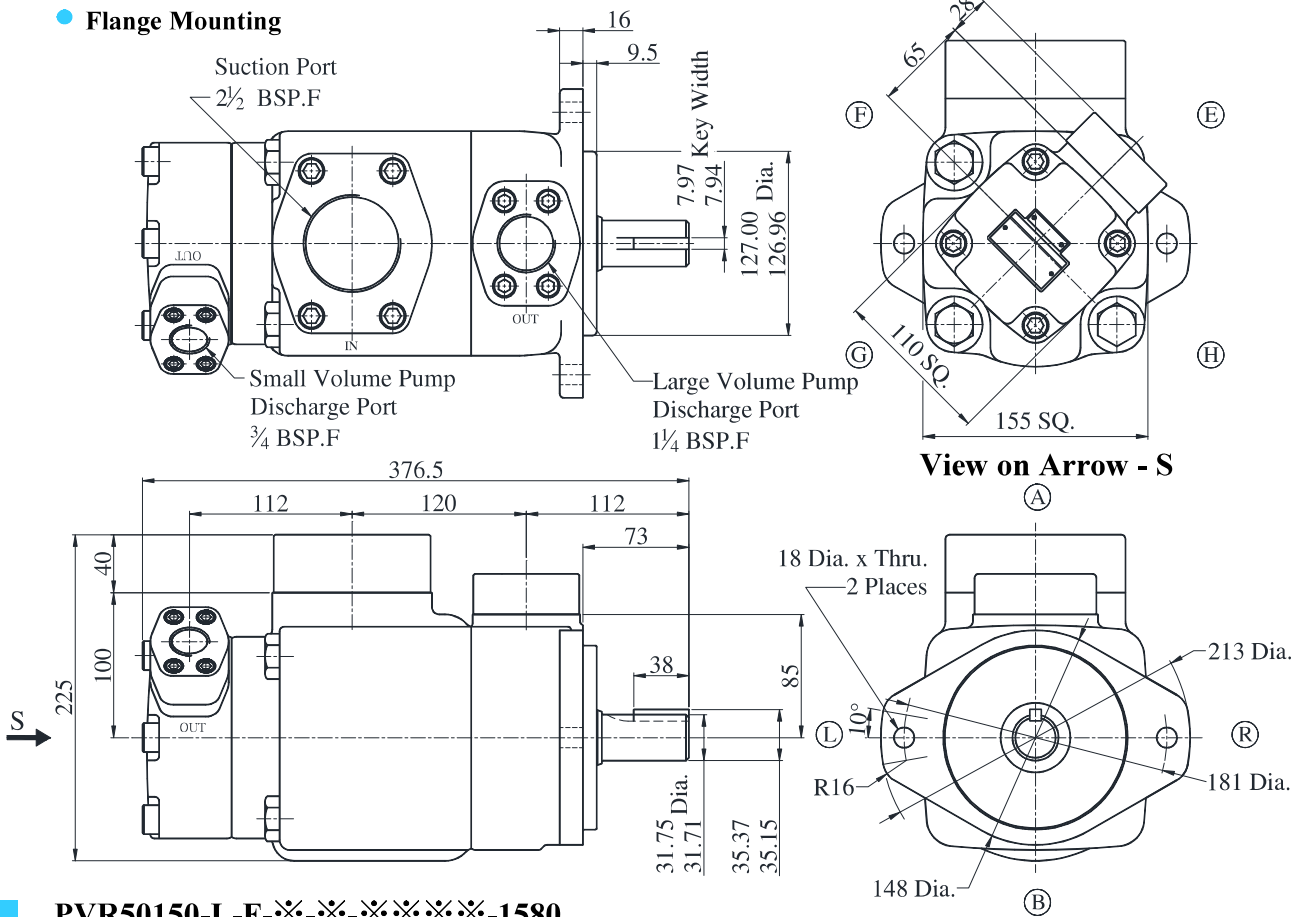
● Small Volume Pump

CPVR50150	-13	-R	-14
Model Number	Nominal Displacement	Shaft Rotation	Design No.
CPVR50150	13 20 26 30 36 39 45 51	R: Clockwise (Normal) L: Counter-Clockwise	14

* For instructions regarding replacing cartridge kit, consult YUKEN INDIA LTD.

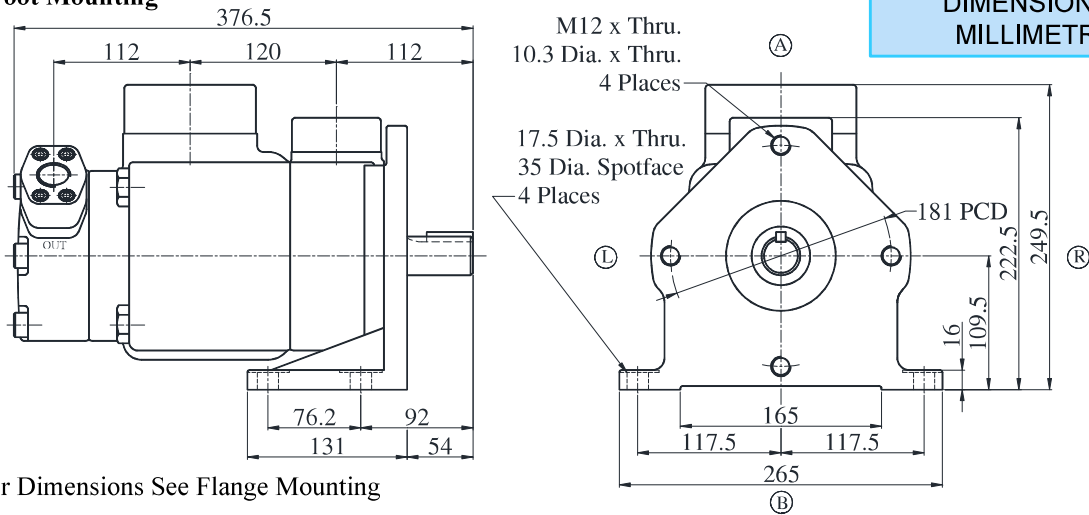
PVR50150-F-F-※-※-※※※※※-1580

● **Flange Mounting**



PVR50150-L-F-※-※-※※※※※-1580

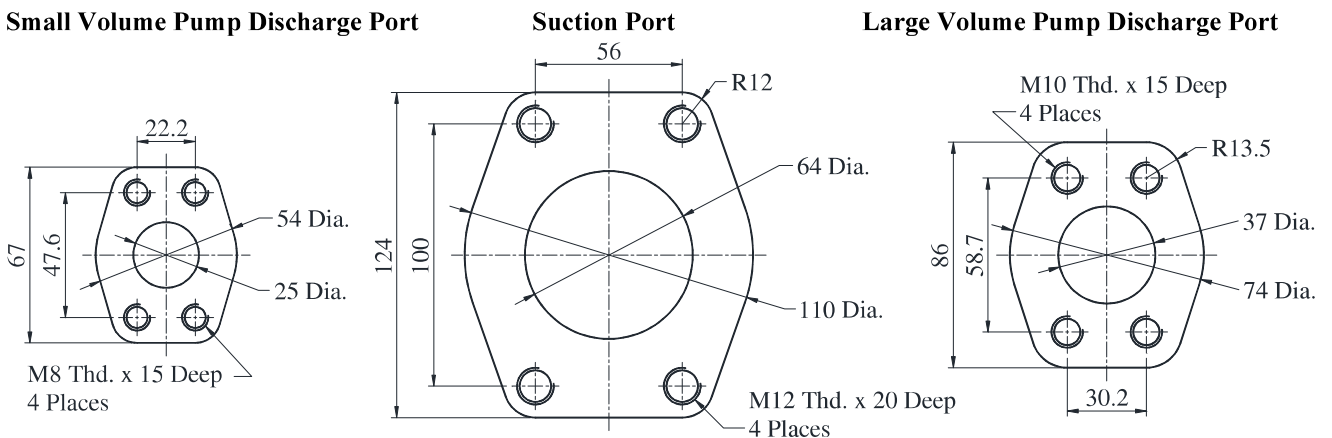
● **Foot Mounting**



DIMENSIONS IN MILLIMETRES

For Other Dimensions See Flange Mounting

For Reference: Dimensions of Pipe Flange Mounting Surfaces



“PVR” Series Double Vane Pumps

Cartridge Kit Model Number

Pump Model Numbers	Cartridge Kit Number #	
	Small Volume Pump	Large Volume Pump
PVR1050-※-F-10-※-R※※※-1180	CPVR1050-10-R-20	CPVR1050-※-R-10
PVR1050-※-F-12-※-R※※※-1180	CPVR1050-12-R-20	
PVR1050-※-F-15-※-R※※※-1180	CPVR1050-15-R-20	
PVR1050-※-F-17-※-R※※※-1180	CPVR1050-17-R-20	
PVR50150-※-F-20-※-R※※※-1580	CPVR50150-20-L-14	CPVR150-※-R-33
PVR50150-※-F-30-※-R※※※-1580	CPVR50150-30-L-14	
PVR50150-※-F-36-※-R※※※-1580	CPVR50150-36-L-14	
PVR50150-※-F-39-※-R※※※-1580	CPVR50150-39-L-14	
PVR50150-※-F-45-※-R※※※-1580	CPVR50150-45-L-14	
PVR50150-※-F-51-※-R※※※-1580	CPVR50150-51-L-14	

* For instructions regarding replacing cartridge kit, consult YUKEN INDIA LTD.

The above table does not include all combinations of cartridges available.
Only a few representative samples are shown.

Flanges

Note: Please refer page no. 747 for flange details.

Spare Parts List

List of Seals

Sl. No.	Name of Part	Part number	Qty.
1	O-Ring	ARP 568-231	1
2	O-Ring	SO-NA-P41	1
3	O-Ring	SO-NA-G80	1
4	O-Ring	SO-NB-G85	1
5	O-Ring	SO-NA-G120Y	1
6	O-Ring	SO-NB-G125	1
7	Backup-Ring	SO-BB-G120	1
8	Backup-Ring	JIS W 1516-G9	1
9	Backup-Ring	SO-BB-G80	1
10	Backup-Ring	SO-BB-P41	1
11	Oil Seal	TC 38558-7	1

Note: When ordering the seals, please specify the seal kit number KS-PVR50150-1580.